



# Model ECAP30-YG

6" - 14 gauge spun aluminum ball  
gold anodized

Single sheave truck, cast  
aluminum revolving,  
non-fouling type

2 Bronze swivel snaps  
with covers per halyard

4 Sets of halyard: #10 poly

8'-6" Yardarm

4 - 9" Cast aluminum cleat

Aluminum flash collar

3000 PSI concrete

Hardwood wedges  
(supplied by others)

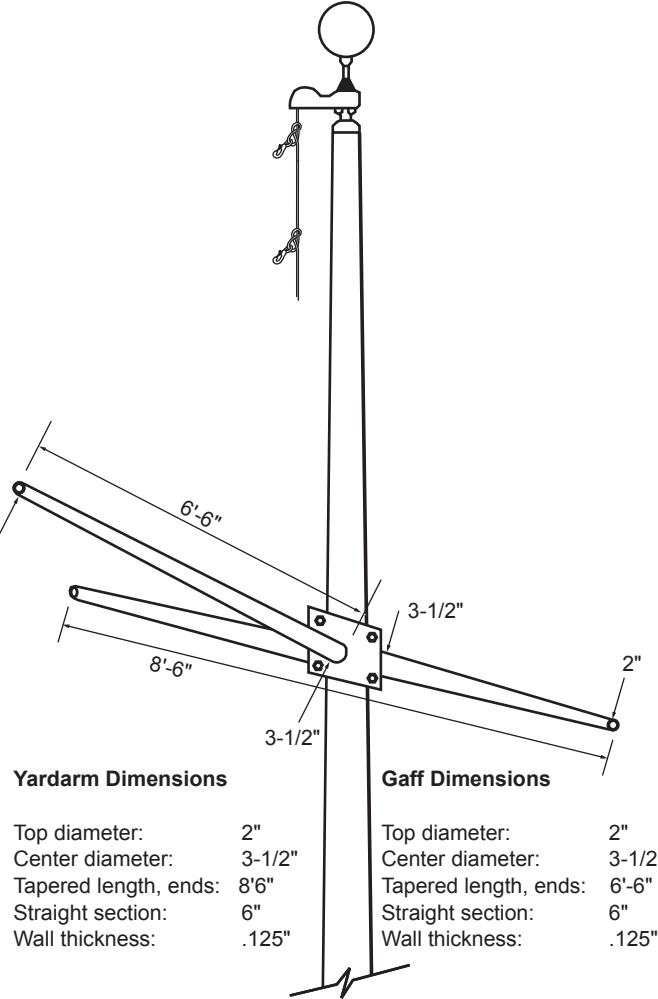
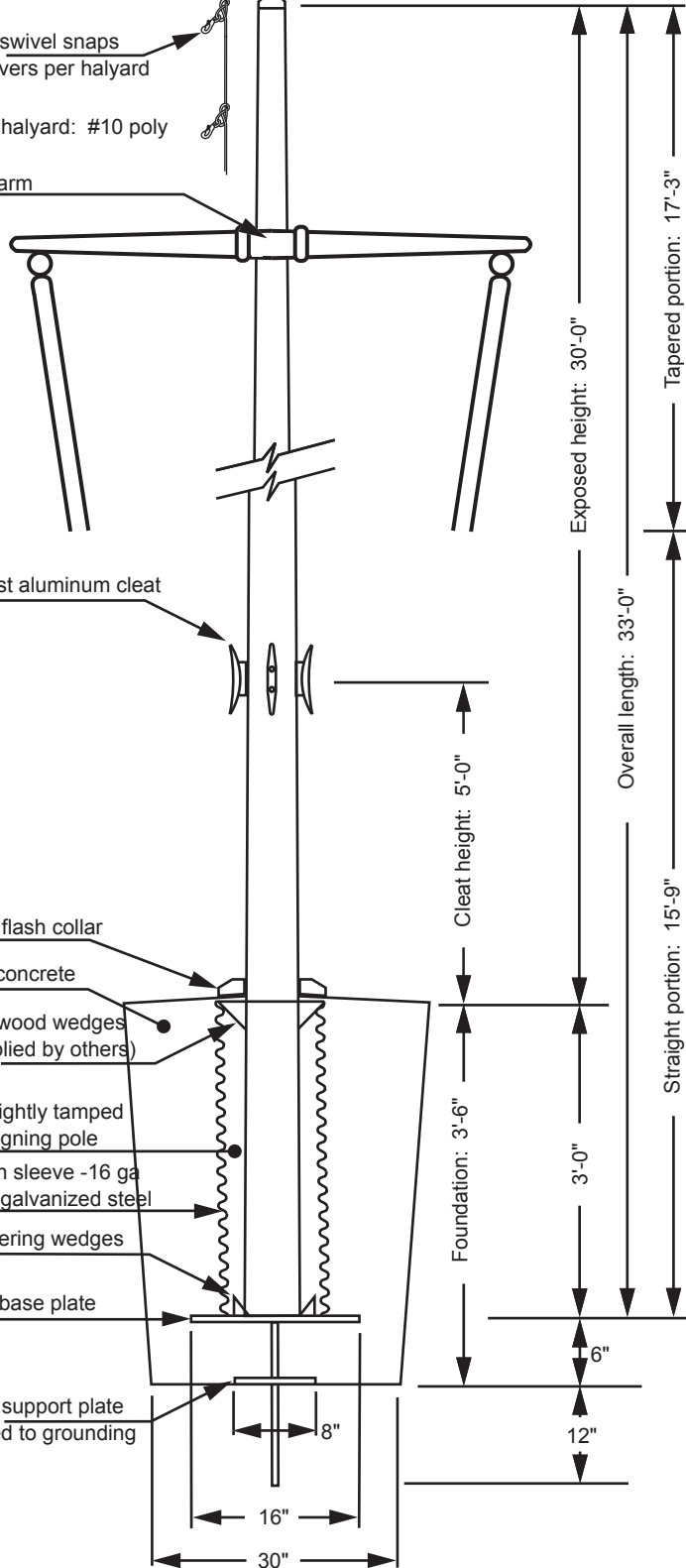
Dry sand tightly tamped  
after aligning pole

Foundation sleeve - 16 ga  
hot dip galvanized steel

Steel centering wedges

1/4" Steel base plate

1/4" Steel support plate  
welded to grounding  
spike

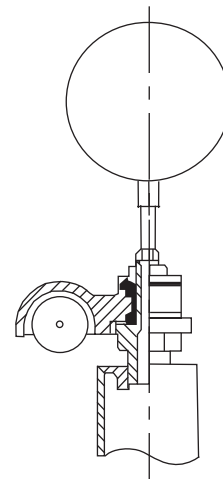


### Yardarm Dimensions

Top diameter: 2"  
Center diameter: 3-1/2"  
Tapered length, ends: 8'-6"  
Straight section: 6"  
Wall thickness: .125"

### Gaff Dimensions

Top diameter: 2"  
Center diameter: 3-1/2"  
Tapered length, ends: 6'-6"  
Straight section: 6"  
Wall thickness: .125"



### Truck Detail

Aluminum body  
Stainless steel ball bearings  
Aluminum sheave  
Cast aluminum spindle

Project:	Ground set tapered aluminum flagpole: ALLOY: 6063T6	EDER FLAG	Date:
Location:	Exposed height: 30'-0"	Overall height: 33'-0"	Revision:
Architect:	Ship in 1 section	Butt diameter: 6"	1000 W. Rawson Avenue
Contractor:	Top diameter: 3-1/2"	Wall thickness: .156"	Oak Creek, WI 53154
Customer:	Finish: 100 grit polish		Job: