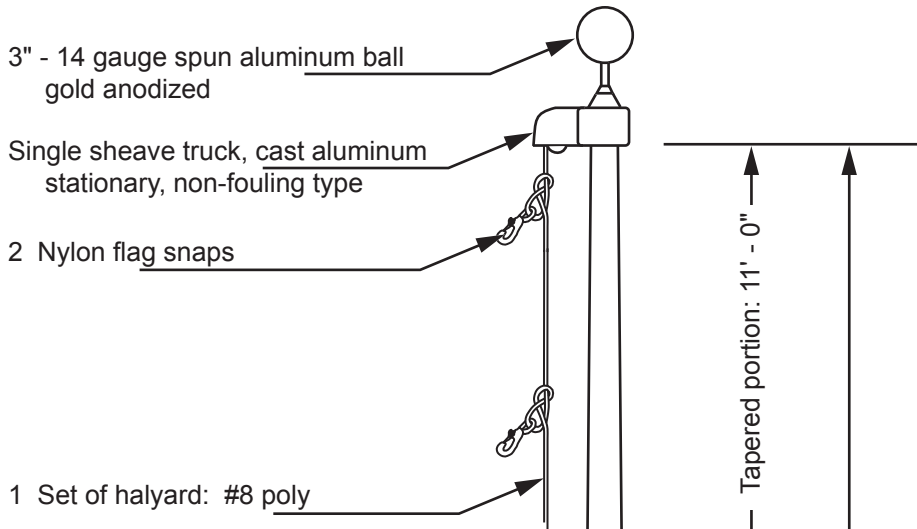


Model EVWS 20

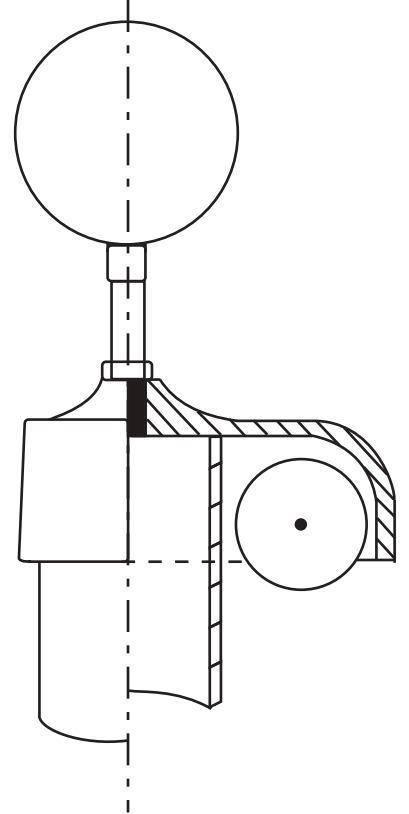
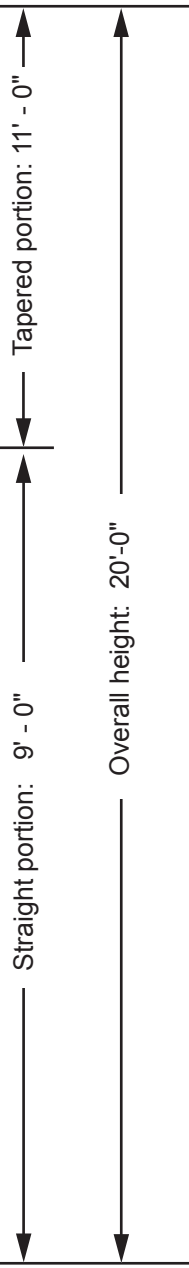


3" - 14 gauge spun aluminum ball
gold anodized

Single sheave truck, cast aluminum
stationary, non-fouling type

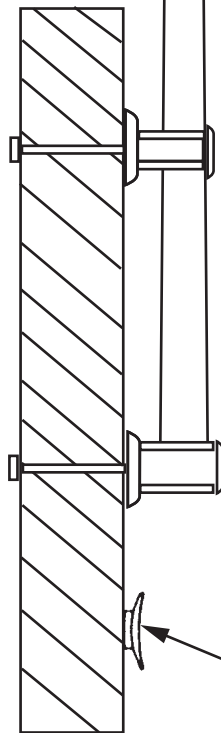
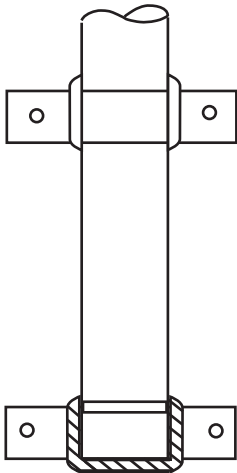
2 Nylon flag snaps

1 Set of halyard: #8 poly



Stationary Truck Detail
Cast Aluminum body

Bracket Detail



1 - 9" Cast aluminum cleat

| | | | |
|-------------|--|-----------------------|-----------------------|
| Project: | Tapered aluminum flagpole: ALLOY: 6063T6 | EDER FLAG | Date: |
| Location: | Exposed height: 20' - 0" | MANUFACTURING COMPANY | Revision: |
| Architect: | Ship in 1 section | Butt diameter: 3" | 1000 W. Rawson Avenue |
| Contractor: | Top diameter: 1-7/8" | Wall thickness: .125" | Oak Creek, WI 53154 |
| Customer: | Finish: 100 grit high polish | | Job: |