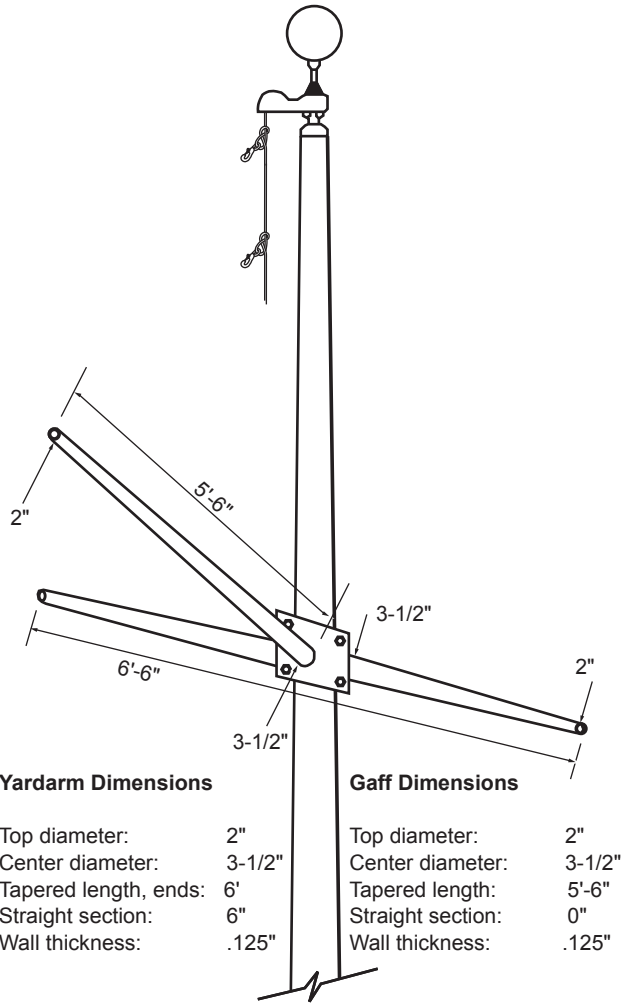
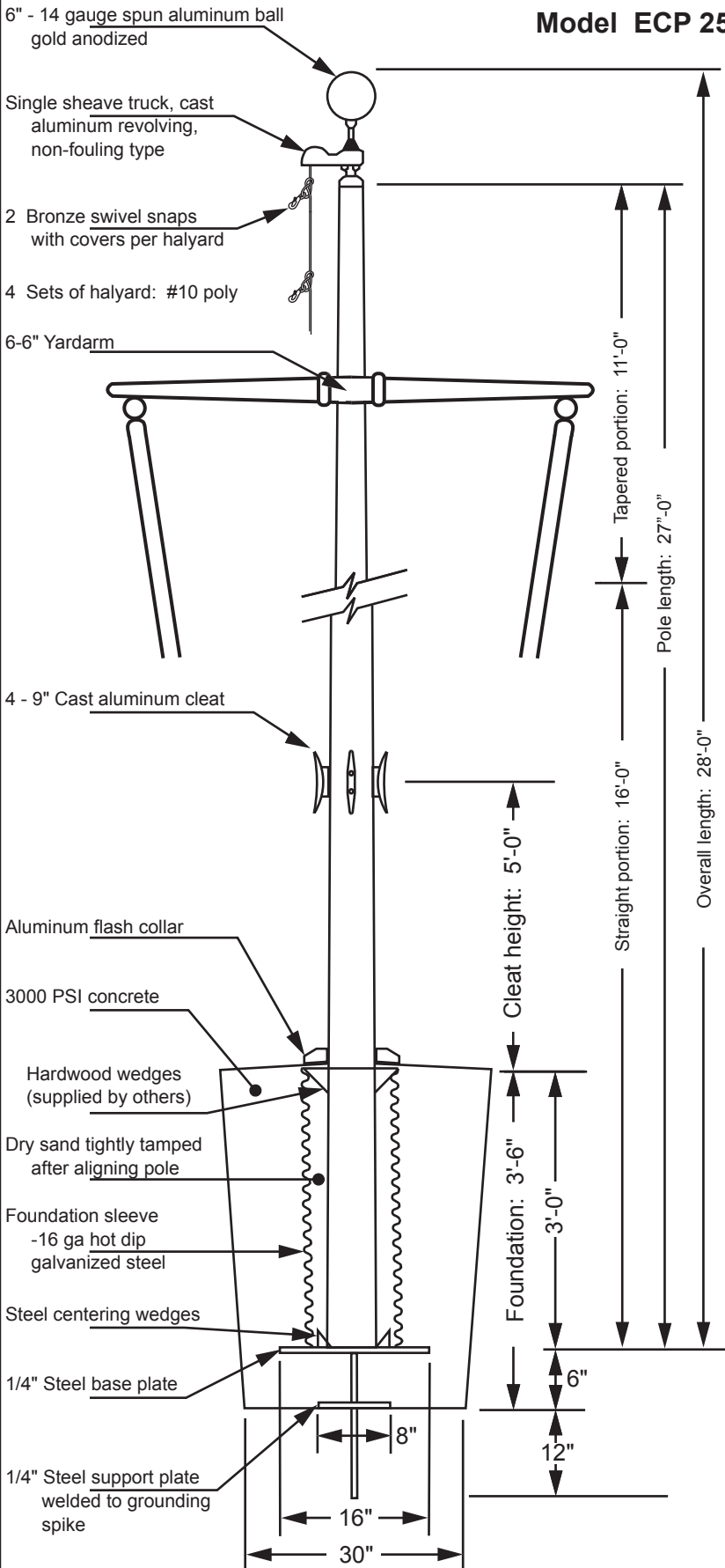




Model ECP 25 YG

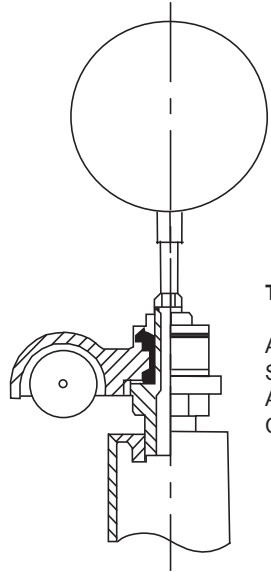


Yardarm Dimensions

- Top diameter: 2"
- Center diameter: 3-1/2"
- Tapered length, ends: 6'
- Straight section: 6"
- Wall thickness: .125"

Gaff Dimensions

- Top diameter: 2"
- Center diameter: 3-1/2"
- Tapered length: 5'-6"
- Straight section: 0"
- Wall thickness: .125"



Truck Detail

- Aluminum body
- Stainless steel ball bearings
- Aluminum sheave
- Cast aluminum spindle

Project:	Ground set tapered aluminum flagpole: ALLOY: 6063T6	EDER FLAG	Date:
Location:	Exposed height: 25'-0"	Overall height: 28'-0"	Revision:
Architect:	Ship in 1 section	Butt diameter: 5-1/2"	1000 W. Rawson Avenue
Contractor:	Top diameter: 3-1/2"	Wall thickness: .188"	Oak Creek, WI 53154
Customer:	Finish: 100 grit polish		Job: